



# CONNECTOR CHAMBER

## MIKRO

for the assembly of telecommunication installations

### MATERIAL

- polyethylene

### PURPOSE

- assembly in cable ducts
- protection of small connector muffs
- creating cable reserves in cable ducts and microducts

### VALUES

- small total weight (body + cover) (approx. 12 kg)
- perfect tightness easy and
- quick assembly possibility of
- installation in hard conditions
- easy network expansion
- easy cleaning product
- durability
- resistance to low temperatures
- recyclable





### TECHNICAL DESCRIPTION

MIKRO chamber consists of:

- the body,
- Z600/DN 614-PE cover with PE pipe
- DN 614 rubber gasket

The containers are made of polyethylene and are a great alternative for their traditional, ex. concrete counterparts.

The container cover may be equipped with a lock.



View of the lock in the cover: from above and from below

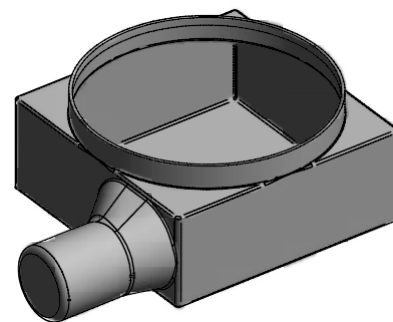
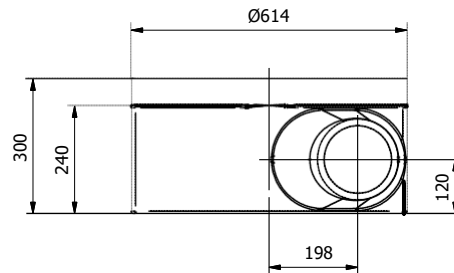
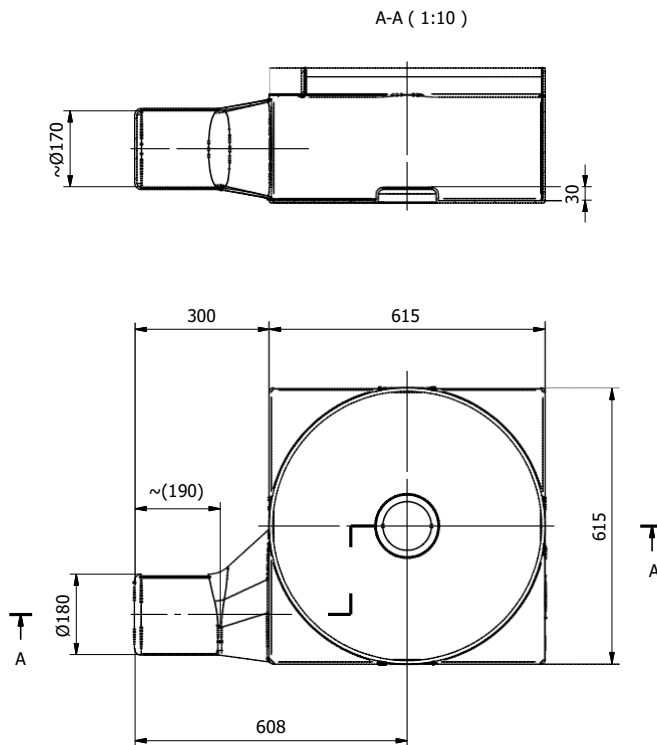
Flat face inlets in the corners enable inserting pipes with standard diameters of  $\varnothing 32$  mm,  $\varnothing 40$  mm i  $\varnothing 50$  mm into the container. The pipes can be inserted with the use of: rubber gaskets, welded half-couplings, welded spigots or half-couplings with thread and nut. The assembly of rubber gaskets and half-couplings with thread and nut is possible at the construction site.

### PURPOSE

The chambers are used for assembly in cable ducts and for protection of small connector muffs (with diameter up to  $\varnothing 170$  mm) and creating reserves of power, electric, light signalling, telecommunication, technical, IT, control, fibre and copper cables in a cable duct and microducts.

The containers enable making junctions and pulling cables.

When compared to ZZ-PE-1 the MIKRO container is more compact with reduced muff chamber diameter and less weight.



MIKRO chamber body

distributor