



CONNECTOR CHAMBERS

ZZ-PE-1 with side cover

for the assembly of telecommunication installations

MATERIAL

- polyethylene

PURPOSE

used for assembly in telecommunication networks and for protection of fibre cable reserve in a cable duct, manufactured for the Ø 40 mm pipe by default

VALUES

- small weight perfect
- tightness easy and quick
- assembly, also in hard conditions
- easy network expansion
- easy cleaning product durability
- resistance to low temperatures
- recyclable



Scan me. Full product catalogue available at www.elplastplus.pl





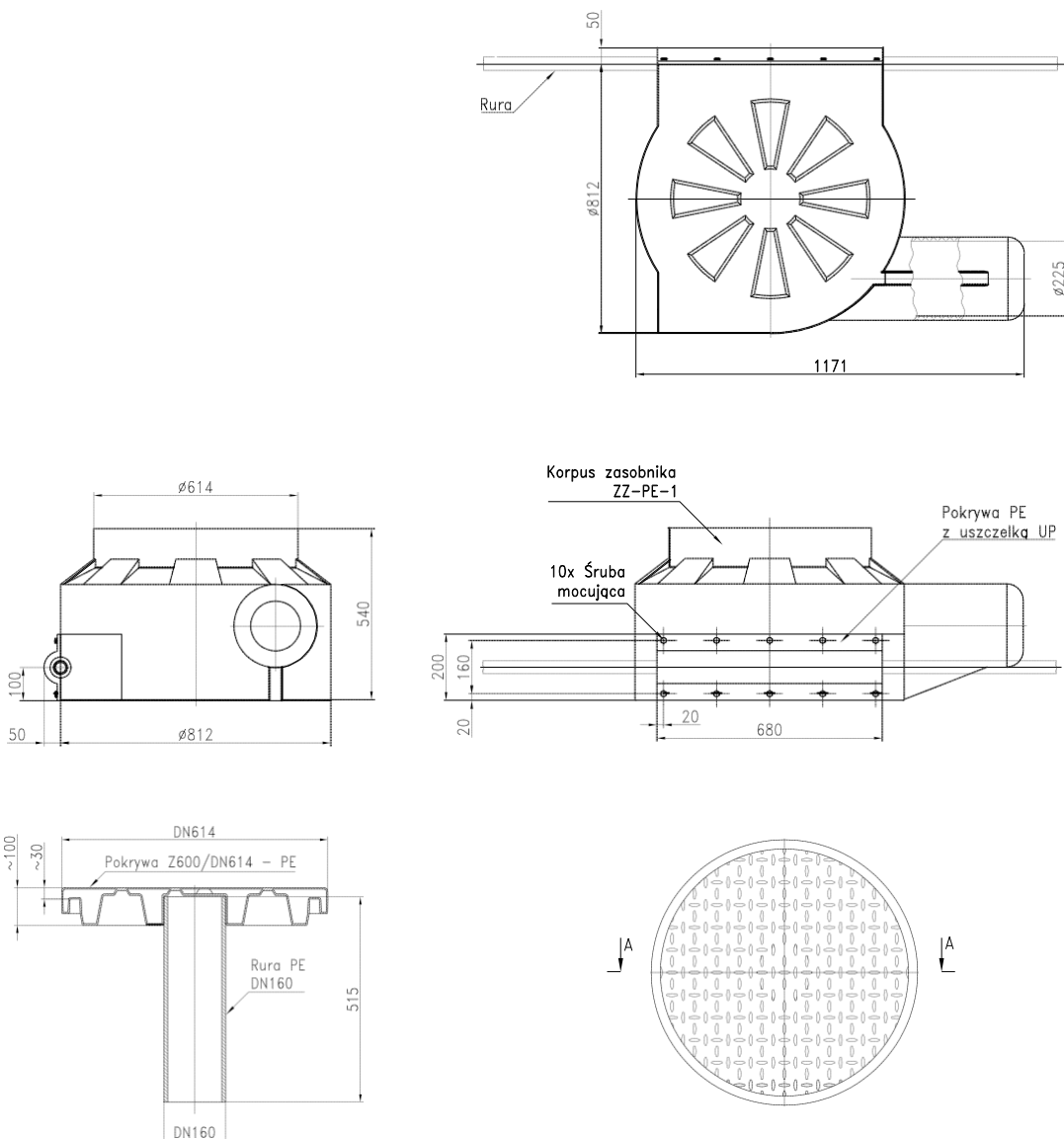
TECHNICAL DESCRIPTION

ZZ-PE-1 single-connector telecommunication chamber with side cover that enables inserting the existing pipe with a cable into the container without cutting the cable. The container is used for assembly in telecommunication networks and for protection of the connector muff and fibre cable reserve in a cable duct.

The chamber is made of polyethylene and is a great alternative for its traditional, e.g. concrete counterparts.

The container consists of the body, polyethylene cover Z600/DN 614-PE, DN 614 rubber gasket under the cover and side cover secured with screws and sealed with UP type polymer gasket. The side cover is located at the side, on the flat part of the container body and enables connecting a

Ø 40 mm pipe. At the customer's request it is possible to make a side cover in order to connect the pipe with Ø 20mm, Ø 25mm, Ø 32mm and Ø 50mm diameter. The container design was reserved as a utility model in Polish Patent Office.



ZZ-PE-1 connector chamber with side cover

