



TELECOMMUNICATION CHAMBERS

ZZ-PE-0, ZZ-PE-1 and ZZ-PE-1W, ZZ-PE-2 and ZZ-PE-2W

for protection of connector muff, reserve of fibre and telecommunication cables

MATERIAL

- polyethylene

TYPES:

- ZZ-PE-0
- Single connector ZZ-PE-1 and ZZ-PE-1W
- Double connector ZZ-PE-2 and ZZ-PE-2W

PURPOSE

for assembly in telecommunication networks

VALUES

- small weight perfect
- tightness easy and quick
- assembly
- possibility of assembly in hard conditions
- easy network expansion easy
- cleaning product durability
- resistance to low temperatures
- recyclable
-



Scan me. Full product catalogue available at www.elplastplus.pl





TECHNICAL DESCRIPTION

"ELPLAST+" Sp. z o.o. manufactures telecommunication containers:

- ZZ-PE-0,
- Single connector ZZ-PE-1 and ZZ-PE-1W
- Double connector ZZ-PE-2 and ZZ-PE-2W

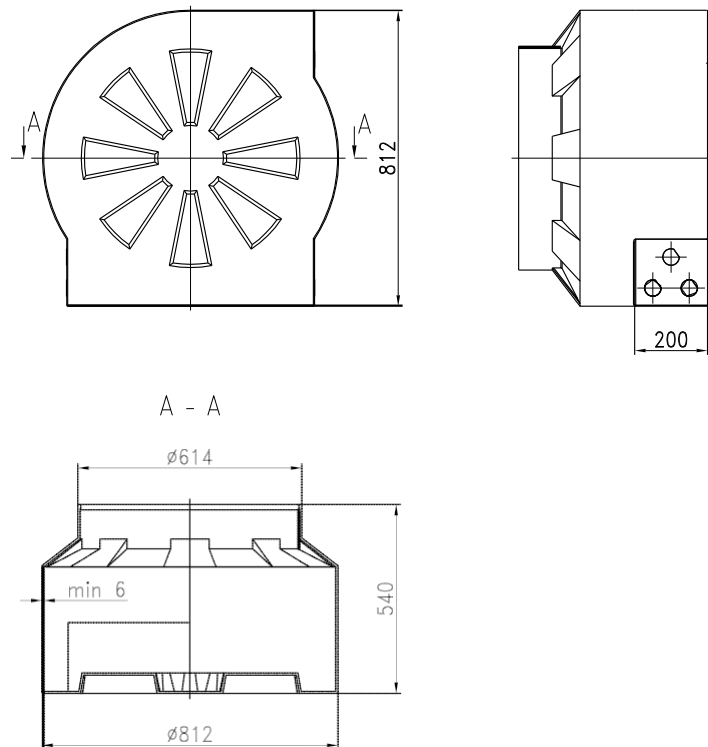
The containers are made of polyethylene and are a great alternative for their traditional, ex. concrete counterparts.

The containers include a body, polyethylene cover and a gasket under the cover. Flat face inlets in the corners enable inserting pipes with

diameters of $\varnothing 32$ mm, $\varnothing 40$ mm and $\varnothing 50$ mm into the containers. The pipes can be inserted with the use of: rubber gaskets, welded half-couplings, welded spigots or half-couplings with thread and nut. The assembly of rubber gaskets and half-couplings with thread can be done at the construction site.

ZZ-PE-0 CONTAINERS

Used mainly for assembly in telecommunication networks and for protection of fibre cable reserve in a cable duct.

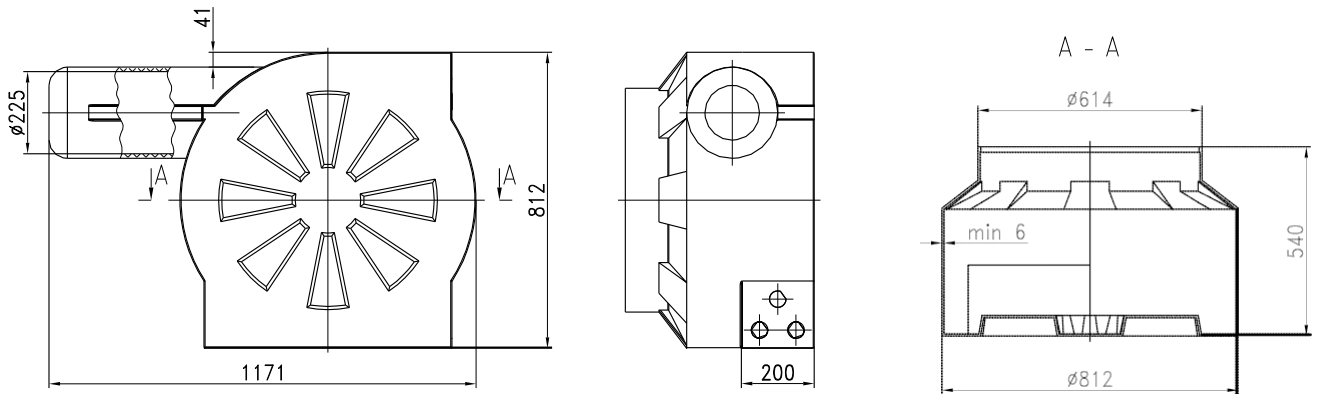


ZZ-PE-0 Container body

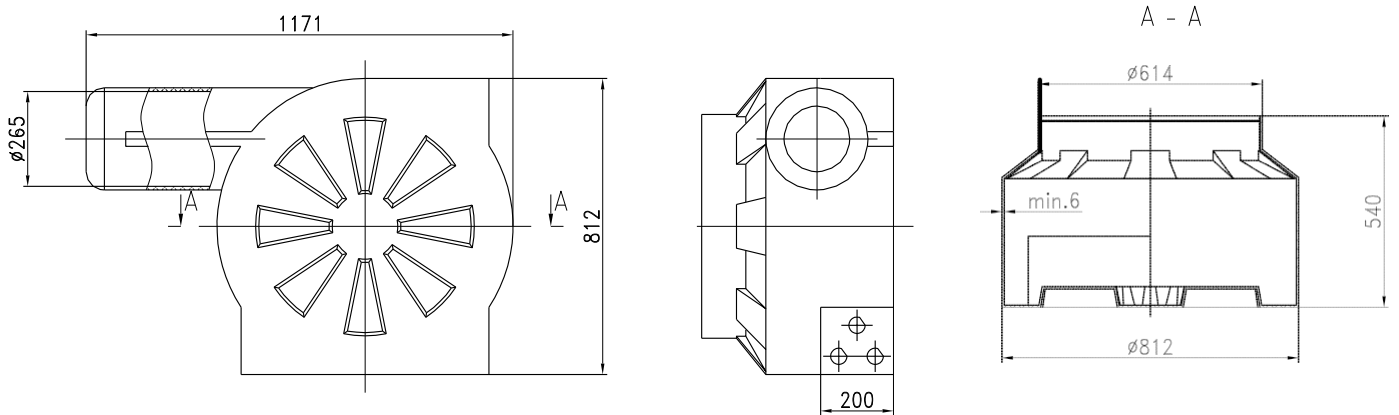


ZZ-PE-1 AND ZZ-PE-1W

The containers are used for assembly in telecommunication networks and for protection of fibre cable reserve in a cable duct.
In relation to ZZ-PE-1, ZZ-PE 1W type has an increased diameter of muff chamber.



ZZ-PE-1 Container body

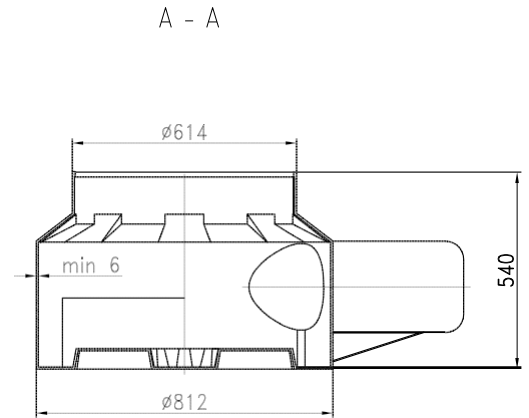
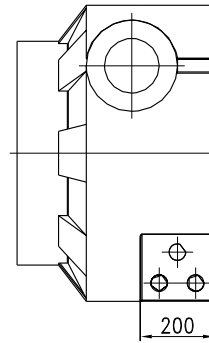
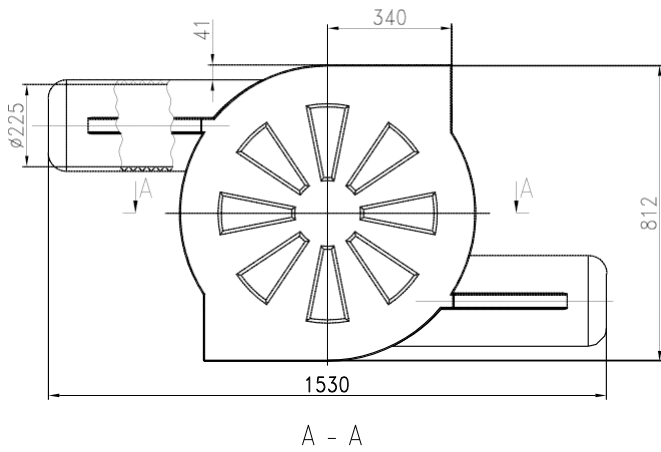


ZZ-PE-1W Container body

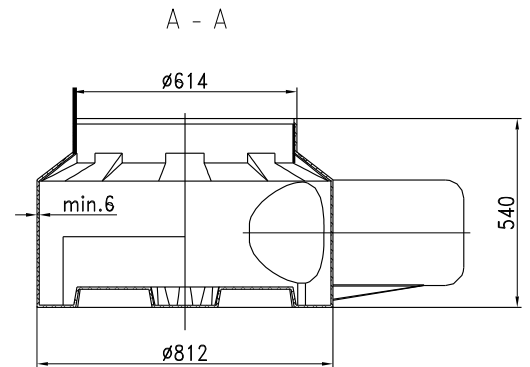
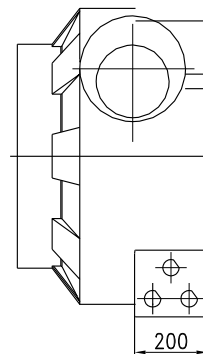
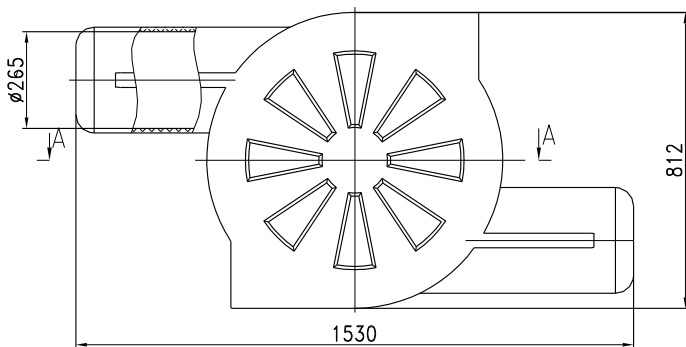


ZZ-PE-2 AND ZZ-PE-2W

Used in telecommunication networks and for protection of connector muff and the fibre cable reserve in a cable duct. In relation to ZZ-PE-2, ZZ-PE 2W type has an increased diameter of muff chambers.



ZZ-PE-2 Container body



ZZ-PE-2W Container body

distributor