



POWER & TELECOM CHAMBERS

SKO-1-PE

for the assembly of telecommunication installations

MATERIAL

- polyethylene

PURPOSE

for the construction of cable ducts with access to pipes when carrying out works related to pulling and connecting telecommunication, fibre, teletechnical cables and cable maintenance. They also play the role of switching wells in ducts and are used as pass-through, corner or junction chambers

VALUES

- small weight perfect
- tightness easy and quick
- assembly
- possibility of assembly in hard conditions
- easy network expansion
- easy cleaning product
- durability
- resistance to low temperatures
- recyclable



Scan me. Full
product catalogue available at
www.elplastplus.pl





TECHNICAL DESCRIPTION

"ELPLAST+" Sp. z o.o. manufactures polyethylene wells for SKO-1-PE teletechnical ducts.

They are a great alternative for traditional wells, ex. concrete wells.

The wells are used to construct cable ducts and provide access to pipes when carrying out works

related to pulling and connecting telecommunication, fibre, teletechnical cables and cable maintenance. They also play the role of switching wells

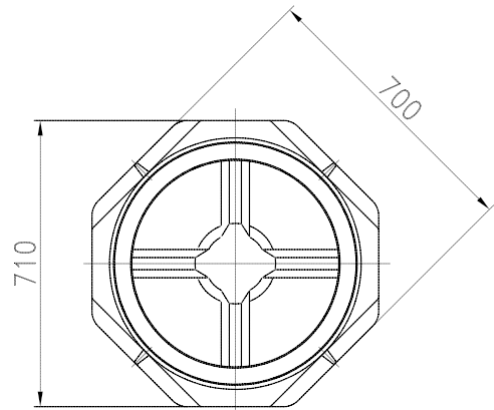
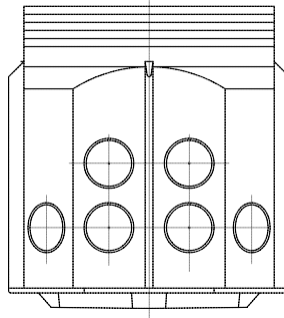
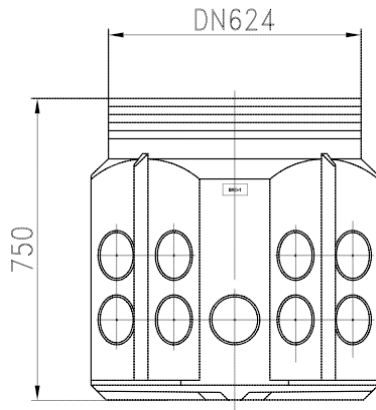
in ducts and are used as pass-through, corner or junction wells. They can be installed wherever concrete wells are used.

If it is necessary to place the wells in places requiring greater load, instead of the A15 class polyethylene cover you can use a sealing hood installed on the well and the manhole, ex. cast-iron type, should be put above the well on a properly selected concrete plate. Depending on the gasket installed on the well

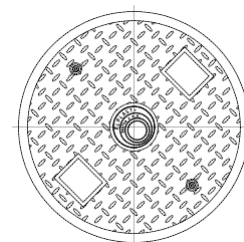
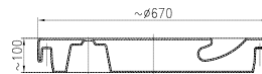
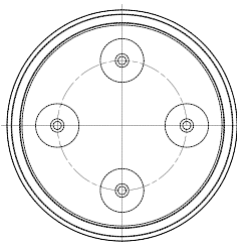
you should use the sealing hood type DN 624-PE or DN 650-PE.

The pipes can be inserted using: rubber gaskets, welded half-couplings, welded spigots or half-couplings with thread and nut. The assembly of rubber gaskets and half-couplings with thread and nut is possible at the construction site.

The well cover can be additionally equipped with a lock and a key.



SKO-1-PE well body



Z600/DN624-PE cover

distributor